

TECHNICAL DATA

General

Mounting	Flange or hub mounting according to EN 225.
Connection threads	cylindrical according to ISO 228/1.
Inlet and return	G 1/4 (with facilities for conical sealing on revision 5 and 6 models)
Nozzle outlet	G 1/8
Pressure gauge ports	G 1/8
Vacuum gauge port	G 1/8
Valve function	Pressure regulation and cut-off*. * cut-off function only assured for model pressure range.
Strainer	open area : 6 cm ² - opening size : 150 µm.
Shaft	Ø 8 mm according to European standard EN 225.
By-pass plug	inserted in return port for two-pipe system ; to be removed with a 4 mm Allen key for one pipe system.
Weight	1,1- 1,5 kg (depending on the model).

Hydraulic Data

Gear size	Nozzle pressure range*	Factory setting
47/47K	7- 14 bars	9 bars
57/57K	7- 14 bars	9 bars
67/67K	10 - 15 bars	10 bars

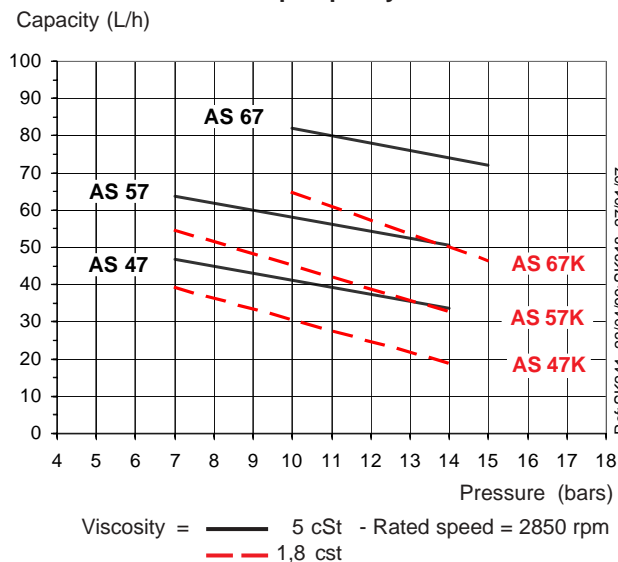
* other ranges available on request,
refer to the specified range of the particular fuel unit.

Operating viscosity	2 - 12 mm ² /s (cSt) for AS 47/AS 57/AS 67 1 - 12 mm ² /s (cSt) for AS 47K/AS 57K/AS 67K
Oil temperature	0 - 60°C in the pump.
Inlet pressure	2 bars max.
Return pressure	2 bars max.
Suction height	0,45 bars max. vacuum to prevent air separation from oil.
Rated speed	3600 rpm max. for AS 47/AS 47K/AS 57/AS 57K 2850 rpm max for AS 67/AS 67K
Torque (@ 45 rpm)	0,10 N.m for AS 47/AS 47K/AS 57/AS 57K 0,12 N.m for AS 67/AS 67K

Solenoid valve characteristics

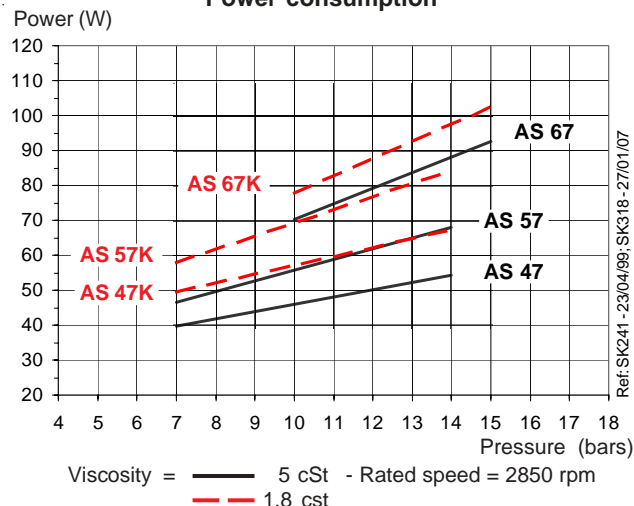
Voltage	220-240 or 110-120 or 24 V; 50/60 Hz.
Consumption	9 W
Ambient temperature	0 - 60°C
Maximum pressure	25 bars
Certified	TÜV Nr. stamped on pump cover.
Protection class	IP 54 according to EN 60529, when used with SUNTEC connector cable.

Pump capacity



Data shown take into account a wear margin.
Do not oversize the pump when selecting the gear capacity.

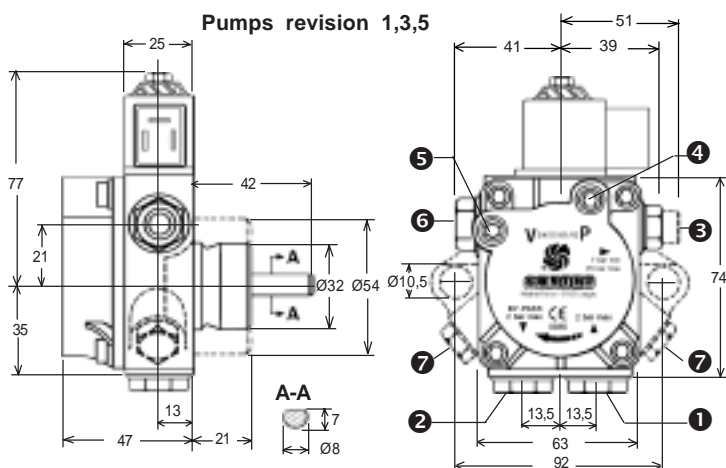
Power consumption



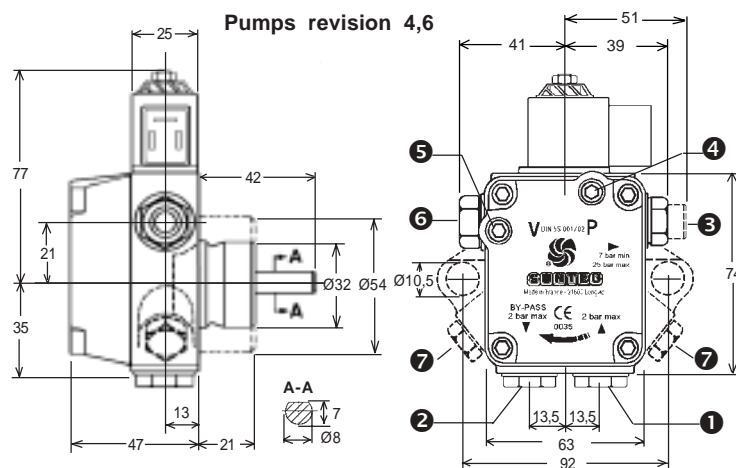
PUMP DIMENSIONS

Examples show "C" rotation and nozzle outlet.

Pumps revision 1,3,5



Pumps revision 4,6



Inlet ① and Return ② with direct sealing for revision 5 and 6 models (sealing with washers can also be used)

- ① Suction
- ② Return and internal by-pass plug
- ③ Nozzle outlet
- ④ Pressure gauge port
- ⑤ Vacuum gauge port
- ⑥ Pressure adjustment
- ⑦ Pressure port (only for "7000" series)