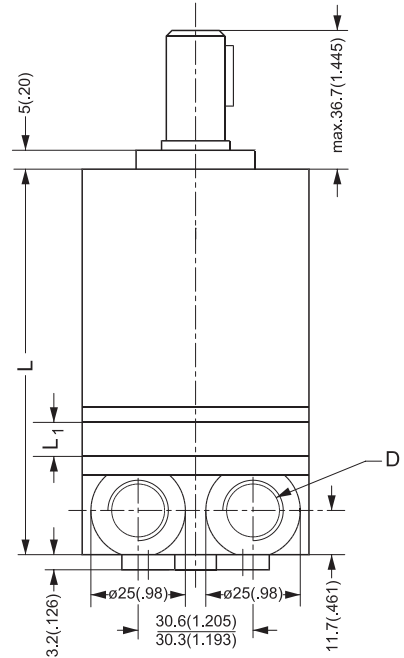
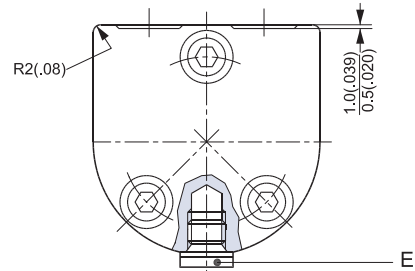


**Dimensions**

OMM  
 Side port version.

Type	Length		Weight kg [lb]
	L <sub>max.</sub>	L <sub>1</sub> mm [in]	
OMM 8	104.0 [4.09]	3.5 [0.14]	1.9 [4.2]
OMM 12.5	106.0 [4.17]	5.5 [0.22]	2.0 [4.4]
OMM 20	109.0 [4.29]	8.5 [0.33]	2.1 [4.6]
OMM 32	114.0 [4.49]	13.5 [0.53]	2.2 [4.8]
OMM 40	118.0 [4.65]	17.0 [0.67]	2.3 [5.1]
OMM 50	122.0 [4.80]	21.5 [0.85]	2.4 [5.3]

C: M6; 10 mm [0.39 in] deep  
 D: G 3/8; 12 mm [0.47 in] deep  
 E: Drain connection G 1/8;  
 8 mm [0.39 in] deep



**Shaft Version**

A: Cylindrical shaft  
 16 mm (xx in)  
 D: Parallel key  
 A5 • 5 • 16  
 DIN 6885

