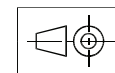
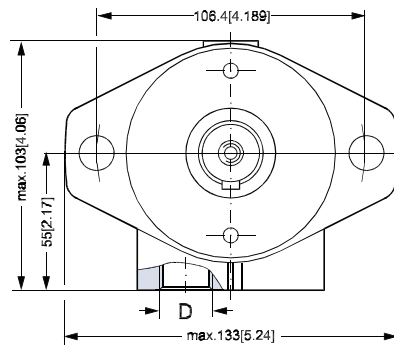
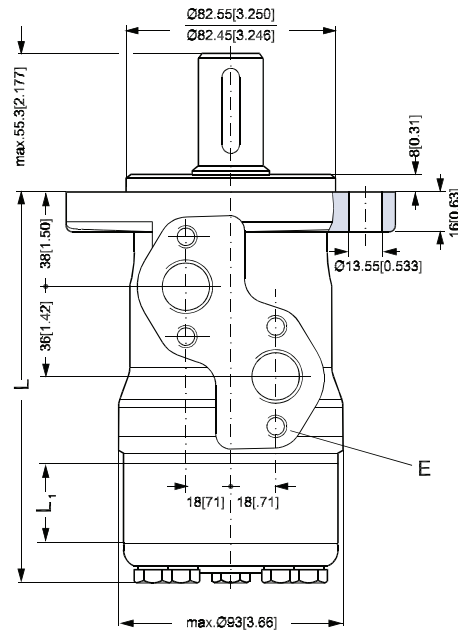


Dimensions

Side port version with 2 hole oval mounting flange (A2-flange).

Type	Max. L mm [in]	L ₁ mm [in]
OMP 25	130.0 [5.12]	4.1 [0.16]
OMP 32	131.0 [5.16]	5.2 [0.20]
OMP 40	132.0 [5.20]	6.5 [0.26]
OMP 50	132.0 [5.20]	6.5 [0.26]
OMP 80	136.0 [5.35]	10.4 [0.41]
OMP 100	138.5 [5.45]	13.0 [0.51]
OMP 125	142.0 [5.59]	16.7 [0.66]
OMP 160	146.5 [5.77]	20.8 [0.82]
OMP 200	151.5 [5.96]	26.0 [1.02]
OMP 250	158.0 [6.22]	32.5 [1.28]
OMP 315	166.5 [6.56]	40.9 [1.61]
OMP 400	177.6 [6.99]	52.0 [2.05]

D: G 1/2; 15 mm [0.59 in] deep
 E: M8; 13 mm [0.51 in] deep
 (4 pcs.)



15.1-18.40.11

- A: Cylindrical shaft
25 mm
- D: Parallel key
A8 · 7 · 32
DIN 6885

